

PRODUCT DATASHEET

DESCRIPTION

品名: 金属信号灯metal indicator light

SPECIFICATION

规格: 8mm

DATE

编制日期: 2016-01-06

PART NO.

本厂型号: KZ1M-8FW-D-1

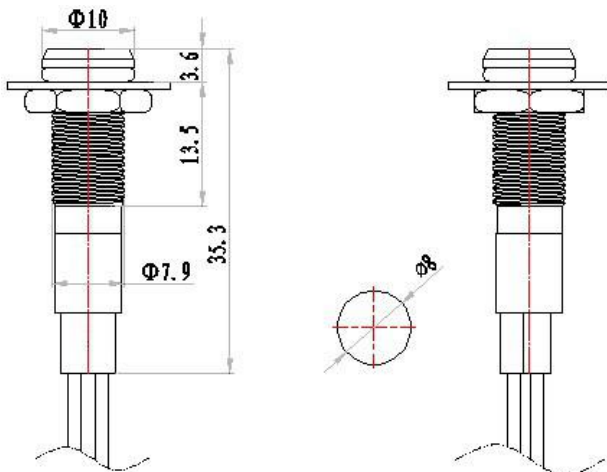
REFERENCE No.

档案编号:

1. 图片 Picture:



2. 图纸drawing:



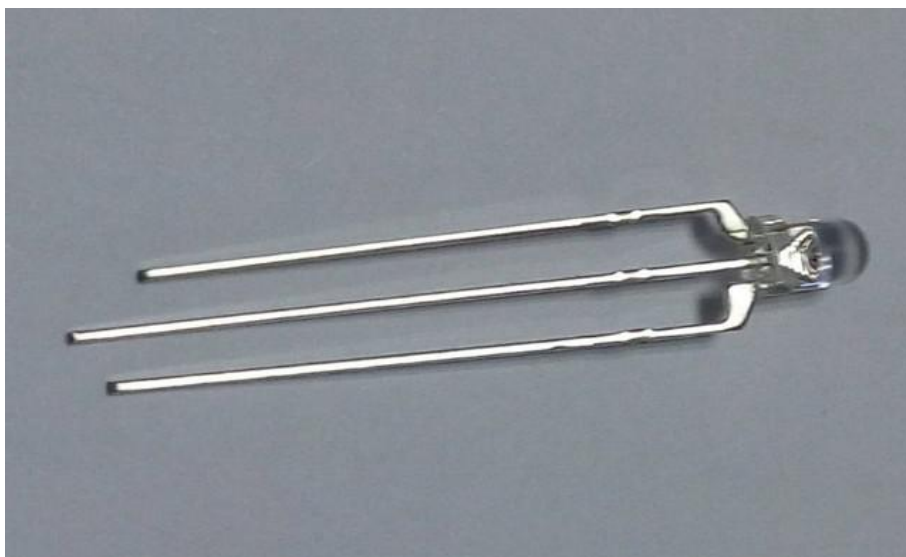
3 配件材料 component material

4 性能参数 performance parameter

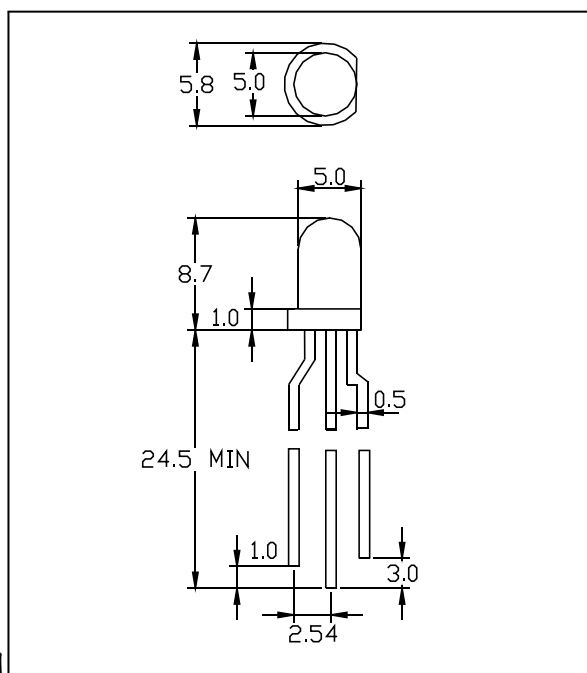
| 配件名Component name | 材料material |
|--------------------|---|
| 灯罩 lens | PC 塑料 PC plastic |
| 金属壳 Metal body | H59 黄铜 or 204 不锈钢 H59 brass or 204 stainless steel |
| 加固垫片 wahser | T10 冷轧钢 T10 Cold Rolled Steel |
| 防水圈 rubber ring | SIL 硅胶 SIL silica gel |
| 螺帽 nut | H59黄铜 H59 nickel plated brass |
| 灯座 housing | PA66阻燃尼龙 PA66 nylon |
| 光源 Light source | LED LED灯 |
| 电阻 Resistor | 金属膜电阻 Metal film |
| 导线 Cable | Pvc AWG24 0.2mm ² |
| 插件 plug-in | |

| 项目items | 参数parameter |
|---|------------------|
| 额定电压 Rated voltage | 3V-780V DC or AC |
| 额定电流 rated current | 20mA |
| 额定功率 rated power | 0.2W |
| 绝缘耐压 Insulation and voltage resistance | 1800V |
| 工作寿命 working life | 50000h |
| 电气寿命 electrical life | 50000次 |
| 耐寒 cold-resistant | -40℃ |
| 耐热 heat-resisting | 80℃ |

4. Detailed Picture :



5.LED Specification:



■ Emitter 外型图

■ Absolute Maximum Rating 极限工作参数

| Parameter 参数名称 | | Unit (单位) | Parameter 参数名称 |
|---|---------------------|-----------|--|
| Reverse Voltage 反向电压 | 5 | V | Reverse Voltage 反向电压 |
| Power Dissipation 功耗 | 100 | mW | Power Dissipation 功耗 |
| Operating Temperature Ranger 正常使用温度 | -40 ~ +65 | °C | Operating Temperature Ranger 正常使用温度 |
| Storage Temperature Ranger 存储温度 | -40 ~ + 80 | °C | Storage Temperature Ranger 存储温度 |
| Lead Soldering Temperature [3mmFrom Body] 焊接温度 (离胶体3mm处焊接) | 260°C For 5 Seconds | | Lead Soldering Temperature [3mmFrom Body] 焊接温度 (离胶体3mm处 焊接) |
| Peak IF(mA) (1/10Duty Cycle 0.1ms Pulse Width) 瞬间脉冲电流 | 60 | mA | Peak IF(mA) (1/10Duty Cycle 0.1ms Pulse Width) 瞬间脉冲电流 |

*Ifp Conditions: Pulse Wide \leq 10msec \leq 1/10 瞬间脉冲电流

*Tsol Conditions:3mm from the base of epoxy bulb 最高焊接温度 距胶体3mm

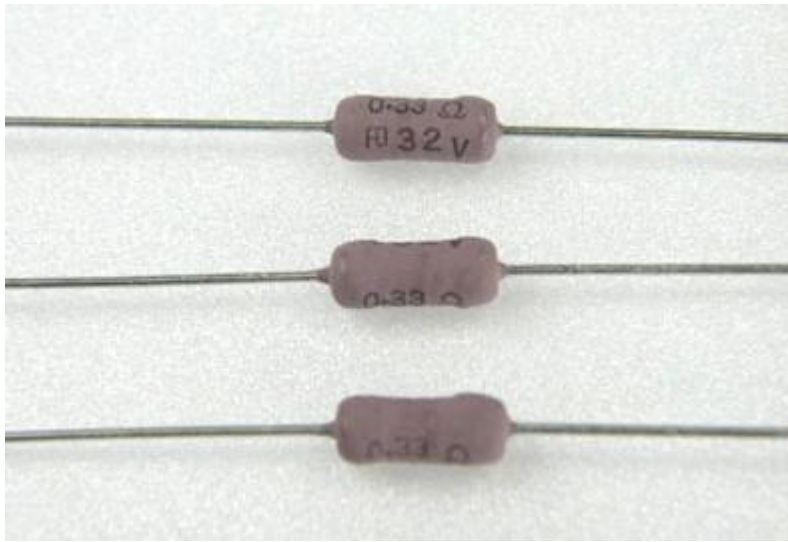
■ Typical Optical/Electrical Characteristics 光电特性参数

| Parameter 参数名称 | Symbol 符号 | | Min 最小值 | Type 典型值 | Max 最大值 | Unit 单位 | Test Condition 测试条件 |
|----------------------------------|------------------|---------|------------|-------------|------------|------------|---------------------------|
| Luminous Intensity 发光亮度 | IV | 红Red | 90 | 100 | 120 | mcd | IF=20mA |
| | | 绿Yellow | 50 | 60 | 70 | | |
| Peak Wavelength 峰值波长 | λ_p | 红Red | --- | 622 | --- | nm | IF=20mA |
| | | 绿Yellow | --- | 566 | --- | | |
| Dominant Wavelength 主波长 | λ_d | 红Red | 625 | 627 | 630 | nm | IF=20mA |
| | | 绿Yellow | 569 | 571 | 573 | | |
| Spectrum Line Half-Width 频谱半宽 | $\Delta \lambda$ | 红Red | --- | 30 | --- | nm | IF=20mA |
| | | 绿Yellow | --- | 30 | --- | | |
| Forward Voltage 正向电压 | VF | 红Red | 1.8 | 2.1 | 2.2 | v | IF=20mA |
| | | 绿Yellow | 1.8 | 2.1 | 2.3 | | |
| Reverse Current 反向漏电流 | IR | 红Red | | | 10 | uA | UR=5V |
| | | 绿Yellow | | | | | |
| Lens Color 胶体颜色 | 白色扩散 | | | | | | |

Notes:

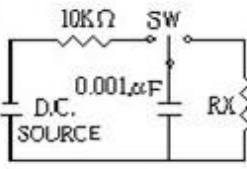
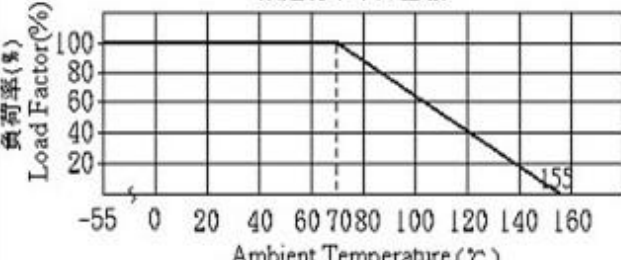
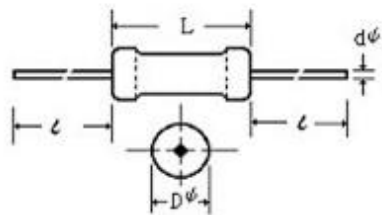
1. Work absolute ratings Ta=25°C humidity=60% 工作常规值 温度=25°C 湿度=60%
2. Tolerance of measurement of forward voltage±0.1V 正向电压误差范围±0.1V
3. Test Machine: SSP6612 series LED test system

6. Resistor Specification (RMS 1/4W 200kΩ):



CHARACTERISTICS 性能

| ITEM 项目 | SPEC 规格 | REMARKS 备注 | |
|--|--|---------------------------|---|
| Load life under high temperature 高温负荷寿命 | ±1.5% | JIS C 5201-1 (4.25.1) | Rated voltage at 70°C for 1,000 hours 额定电压70°C 1,000小时 |
| Load life under high humidity 耐湿负荷寿命 | ±5% | JIS C 5201-1 (4.24) | Rated voltage at 40°C, 95% RH for 1,000 hours 额定电压40°C, 95% RH 1,000小时 |
| Temp. coeff of resistance 温度系数 | < 1K= ±500 PPM/°C ≤ 100KΩ=±300 ppm/°C >100KΩ=±200 ppm/°C | JIS C 5201-1 | Room temp. + 100°C, 30min 室温 + 100°C, 30分钟 |
| Short time overload 短时间过负荷 | ±1% | JIS C 5201-1 (4.13) | 6.25 times the rated power for 5 seconds 6.25倍额定功率 5秒 |
| Temperature cycling 温度循环 | ±1% | JIS C 5201-1 (4.19) | 5 cycles for -25°C±3°C(30min); room temp.(30min) ~ +85°C±3°C(30min) room temp. (30min) |
| Resistance to soldering heat 焊锡耐热 | ±1% | JIS C 5201-1 (4.18) | 260°C±5°C for 10 seconds(焊锡槽) 350°C±10°C for 3.5 seconds(手焊锡) |
| Insulation resistance 绝缘电阻 | >1,000MΩ | JIS C 5201-1 (4.6.1.1) | 500 volt Insulation test 1min 500 V绝缘测试电压1分钟 |

| | | |
|---|------------|--|
| Pulse withstanding voltage 脉冲 | $\pm 20\%$ | <p> ■The following discharge cycle is repeated in the circuit of the left fig. 2.5 sec. ON 2.5 sec. OFF 50 cycles. With following DC pulse test voltage ■ Pulse voltage:1/6W,S1/4W: 3KV. $\geq 1/4W$: 100KΩ: (3KV); 100KΩ-620KΩ: (5KV); > 620KΩ: (10KV) </p>  |
| <p> DERATING CURVE 额定功率下降曲线 </p>  | |  |
| | | <p> Various type of forming & taping are available 提供插装的造型与带装 Coating color: RMU1/4W,RMU1/6W、dark blue, other、pink。 </p> |

■ CHARACTERISTICS 性能

| Model 型名 | Power Rating 额定功率 (W) | Resistance Range E-24 阻值范围 Ω | Maximum Working Voltage 最高使用 电压 | Dielectric Withstandi ng Voltage 耐电压 | Dimension 尺寸 (mm) | | | |
|-------------------------|--------------------------------|--|---|--|-------------------|---------------|------------|----------------|
| | | | | | L | D ϕ | t | d ϕ |
| RMU1/4W 、 RMS1/2W | 1/4,1/2 | 10 Ω ~ <100M | 1600V | 700V | 6 \pm 0.3 | 2.4 \pm 0.1 | 28 \pm 2 | 0.6 \pm 0.05 |